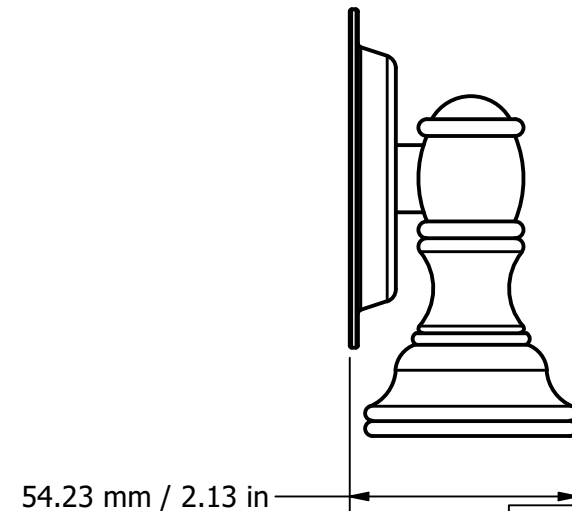
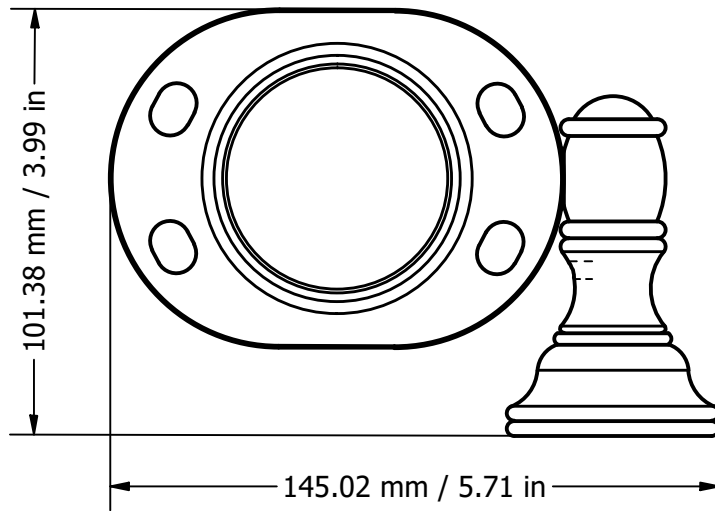
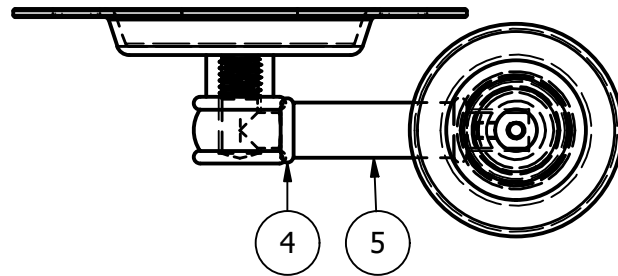
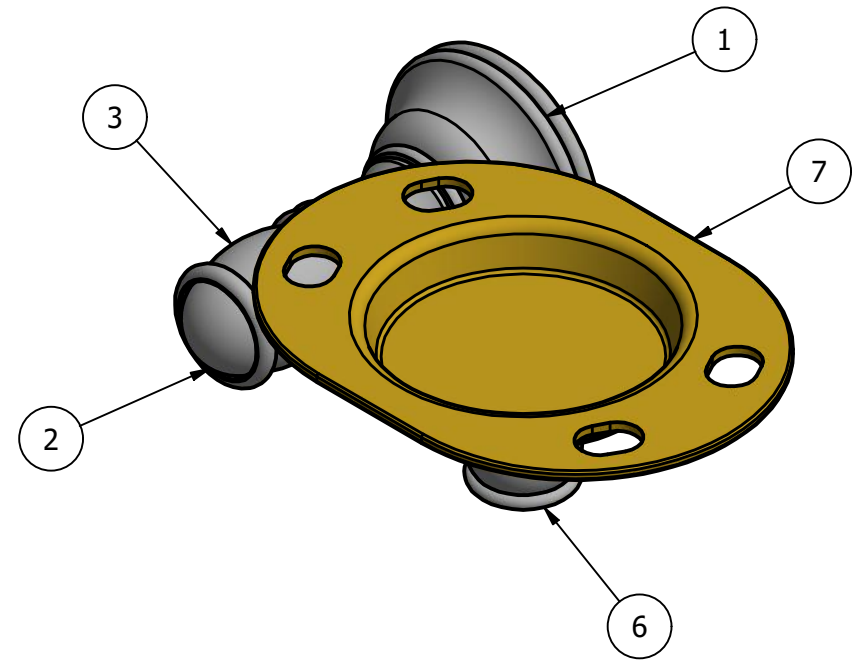


PARTS LIST			
ITEM	QTY	PART NUMBER	DESCRIPTION
1	1	TBBS-2	BACKPLATE
2	1	CAP	CL-CAP
3	1	TSPS-2	HUB
4	2	CRRD-12	CHECK RING
5	1	TU12-1.5	TUBE
6	1	CLHB2T-78	HUB
7	1	HROVT	HOLDER



UNLESS OTHERWISE SPECIFIED	
.X	± .3mm
.XX	± .15mm
.XXX	± .008mm

UNIT IS IN MM.

DRAWN	1-30-20	IM	MATERIAL:	BRASS		FINISH	TBD
CHECKED	1-30-20	P.D.	DESCRIPTION:	Carolina Toothbrush and Tumbler Holder		QTY	TBD
APPROVED	1-30-20	R.A.			DRAWING NO.	REV	
THIRD ANGLE PROJECTION					CL-26	0	
			SCALE	1.5:1	SHEET: 1 OF 1	A4	

**APPROVED FOR PRODUCTION**  
 By: RICHARD PAUL  
 Date: 01-30-20

